

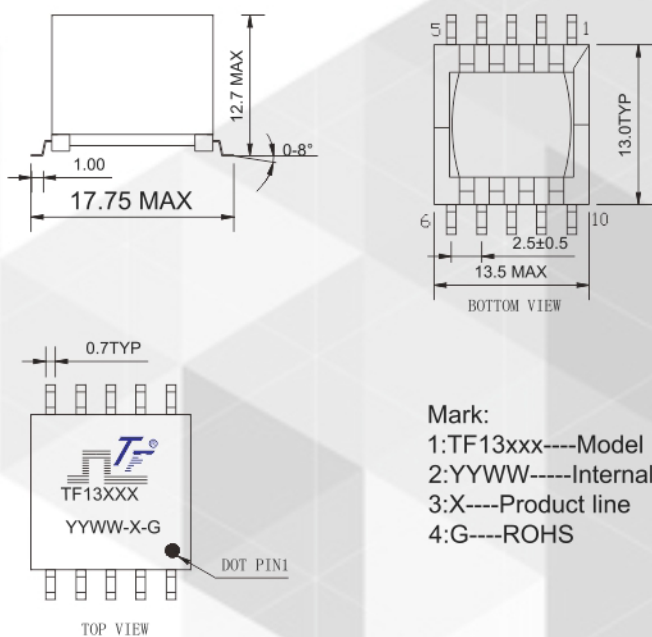


## EP13 series

### SMT flyback transformer for 13Watt PoE Application

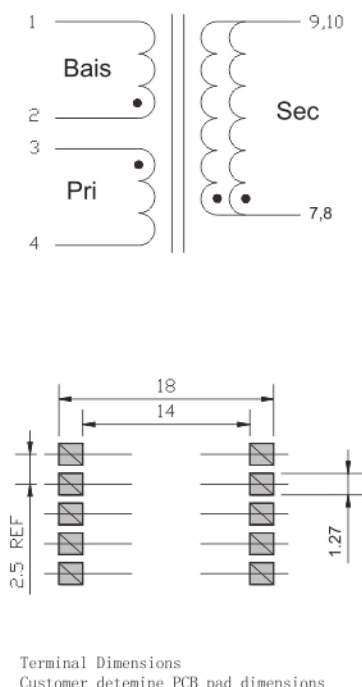
<ul style="list-style-type: none"> <li>•Designed to meet3 PoE IEEE 802.3at-2009 standard</li> <li>•Operates at 250 kHz with 36–72 Volts input.</li> <li>•Isolation: 1500 Vrms, one minute pri to sec; 500 Vrms pri to aux</li> <li>•Ambient temperature –40°C to +125°C</li> <li>•Storage temperature Component: –40°C to +125°C.</li> <li>•Tape and reel packaging: –40°C to +80°C</li> </ul>									
<ul style="list-style-type: none"> <li>•Resistance to soldering heat Max three 40 second reflows at +260°C, parts cooled to room temperature between cycles</li> </ul>									
Model number	Power(W)	Inductance at 0 A <sup>2</sup> ±10%(uH)	DCR max(Ohms)			Leakage inductance max(uH)	Turns ration		Output
			Pri	Bias	Sec		pri:sec	pri:bias	
TF13017	13	127	0.255	0.310	0.024	1.25	1:0.166	1:0.50	3.3V,4.0A
TF13018	13	127	0.222	0.348	0.039	0.950	1:0.25	1:0.50	5.0V,2.6A
TF13019	13	127	0.199	0.308	0.065	0.650	1:0.50	1:0.50	12V,1.08A
TF13020	13	127	0.290	0.355	0.066	0.800	1:0.567	1:0.50	19.5V,0.67A
TF13021	13	127	0.255	0.315	0.067	0.600	1:0.667	1:0.50	24V,0.54A

### Mechanicals



Mark:  
 1:TF13xxx----Model number  
 2:YYWW----Internal code  
 3:X----Product line  
 4:G----ROHS

### Schematic

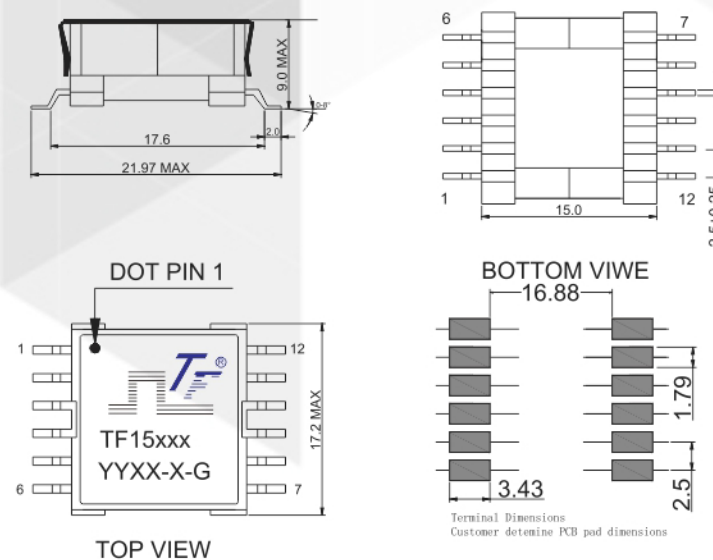


## EFD15 series

### SMT flyback transformer for 6Watt and 13Watt PoE Application

<ul style="list-style-type: none"> <li>•Designed to meet3 PoE IEEE 802.3at-2009 standard</li> <li>•Operates at 250 kHz with 36–72 Volts input.</li> <li>•Isolation: 1500 Vrms, one minute pri to sec; 500 Vrms pri to aux</li> <li>•Ambient temperature –40°C to +125°C</li> <li>•Storage temperature Component: –40°C to +125°C.</li> <li>•Tape and reel packaging: –40°C to +80°C</li> <li>•Resistance to soldering heat Max three 40 second reflows at +260°C, parts cooled to room temperature between cycles</li> </ul>													
Model number	Power(W)	Inductance at 0 A <sup>2</sup> ±10%(uH)	DCR max(Ohms)				Leakage inductance max(uH)	Turns ration			Output	Drive Output	Type
			Pri	Sec	Bias	Driver		pri:sec	pri:bias	pri:drive			
TF15022	6	75uH	0.195	0.005	0.195	N/A	8.0	1:0.07	1:0.36	N/A	1.8V,3.3A	N/A	1
TF15023	6	55uH	0.095	0.005	0.150	N/A	4.6	1:0.08	1:0.33	N/A	2.5V,2.4A	N/A	1
TF15024	6	65uH	0.138	0.007	0.180	N/A	3.9	1:0.11	1:0.36	N/A	3.3V,1.8A	N/A	1
TF15025	6	60uH	0.130	0.009	0.165	N/A	2.3	1:0.15	1:0.35	N/A	5.0V,1.2A	N/A	1
TF15026	6	55uH	0.095	0.017	0.150	N/A	0.7	1:0.35	1:0.35	N/A	12V,0.5A	N/A	1
TF15027	13	45uH	0.195	0.005	0.195	N/A	7.9	1:0.07	1:0.36	N/A	1.8V,7.2A	N/A	1
TF15028	13	35uH	0.095	0.005	0.150	N/A	4.2	1:0.08	1:0.33	N/A	2.5V,5.2A	N/A	1
TF15029	13	40uH	0.138	0.007	0.180	N/A	3.4	1:0.11	1:0.36	N/A	3.3V,3.9A	N/A	1
TF15030	13	40uH	0.130	0.009	0.165	N/A	1.9	1:0.15	1:0.35	N/A	5.0V,2.6A	N/A	1
TF15031	13	35uH	0.095	0.017	0.150	N/A	0.6	1:0.35	1:0.35	N/A	12V,1.1A	N/A	1
TF15032	13	37uH	0.085	0.025	0.150	N/A	0.4	1:0.57	1:0.35	N/A	19.5V,0.67A	N/A	1
TF15033	13	37uH	0.086	0.049	0.150	N/A	0.4	1:0.67	1:0.33	N/A	24V,0.54A	N/A	1
TF15039	10	166.5uH	0.735	0.0225	0.985	0.510	2.500	6.5:1	2.0:1	3.7:1	3.3V,3A	5.6V,10mA	2
TF15040	10	150.0uH	0.520	0.0275	0.770	0.525	2.000	5.0:1	2.25:1	3.2:1	5.0V,2A	7.5V,10mA	2
TF15041	10	166.5uH	0.760	0.1010	1.100	0.500	2.050	2.0:1	2.0:1	4.0:1	12V,0.83A	6.0V,10mA	2

### Mechanicals



Mark:  
 1:TF15xxx----Model number  
 2:YYWW----Internal code  
 3:X----Product line  
 4:G----ROHS

### Schematic

