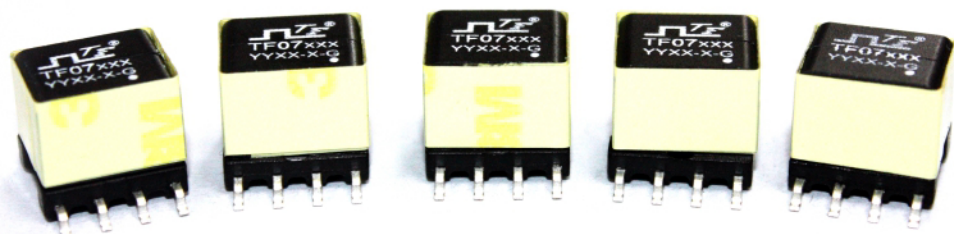




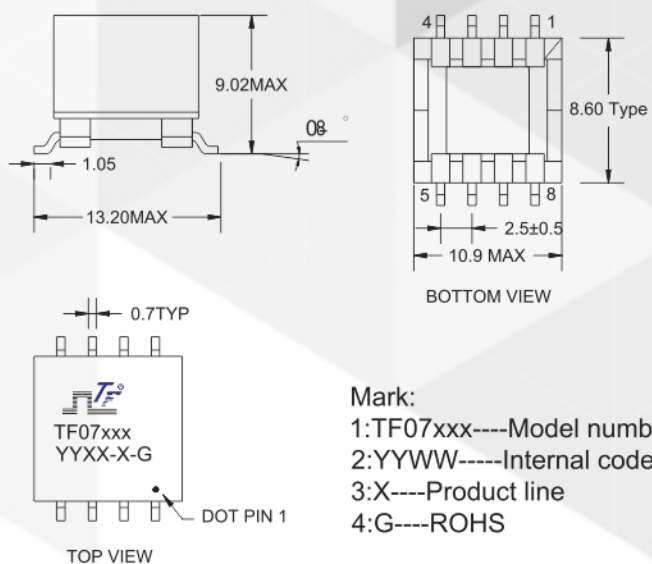
EP7 series

SMT flyback transformer for 3Watt PoE Application

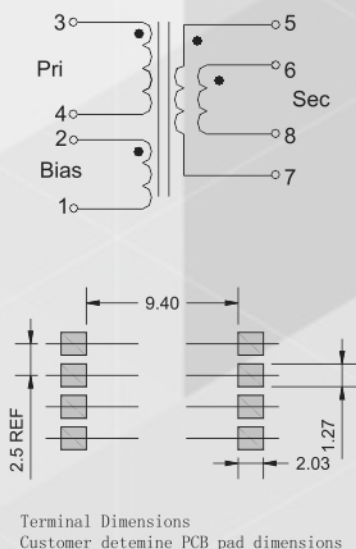


<ul style="list-style-type: none"> •Designed to meet3 PoE IEEE 802.3at-2009 standard •Operates at 250 kHz with 36–72 Volts input. •Isolation: 1500 Vrms, one minute pri to sec; 500 Vrms pri to aux •Ambient temperature –40°C to +125°C •Storage temperature Component: –40°C to +125°C. •Tape and reel packaging: –40°C to +80°C 									
•Resistance to soldering heat Max three 40 second reflows at +260°C, parts cooled									
to room temperature between cycles					Turns ration		Output		
Model number	Power(W)	Inductance at 0 A ² ±10%(uH)	DCR max(Ohms)			Leakage inductance max(uH)	pri:sec	pri:bias	
			Pri	Bias	Sec				
TF07011	3	310	1.02	2.01	0.066	4.75	1:0.19	1:0.70	3.3V,0.91A
TF07012	3	310	1.02	2.01	0.118	4.50	1:0.28	1:0.70	5.0V,0.6A
TF07013	3	310	1.04	2.01	0.700	4.25	1:0.70	1:0.70	12V,0.25A

Mechanicals TF7202

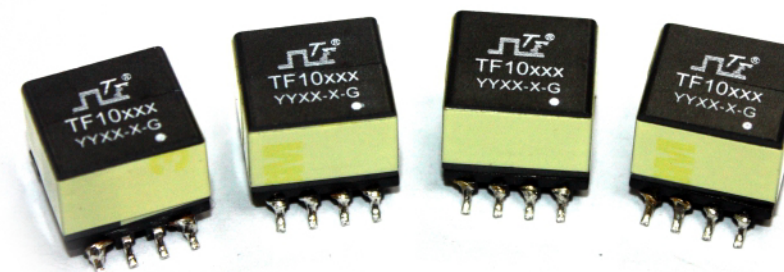


Schematic



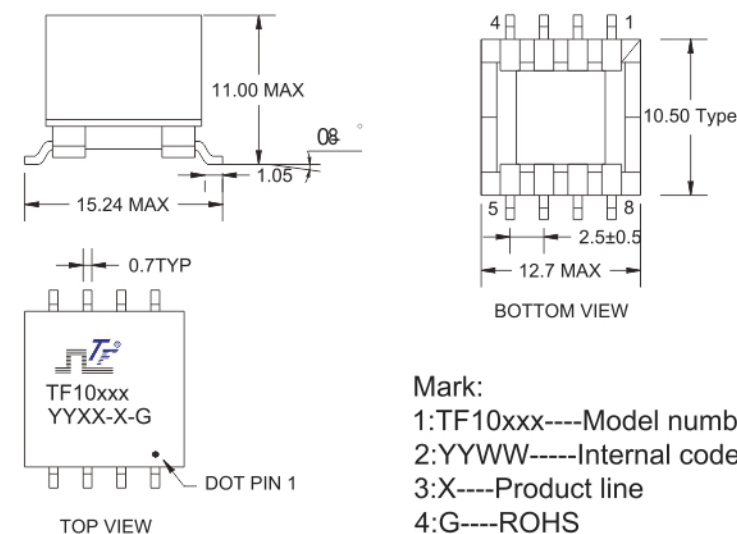
EP10 series

SMT flyback transformer for 7Watt PoE Application



<ul style="list-style-type: none"> •Designed to meet3 PoE IEEE 802.3at-2009 standard •Operates at 250 kHz with 36–72 Volts input. •Isolation: 1500 Vrms, one minute pri to sec; 500 Vrms pri to aux •Ambient temperature –40°C to +125°C •Storage temperature Component: –40°C to +125°C. •Tape and reel packaging: –40°C to +80°C 									
•Resistance to soldering heat Max three 40 second reflows at +260°C, parts cooled									
to room temperature between cycles					Turns ration		Output		
Model number	Power(W)	Inductance at 0 A ² ±10%(uH)	DCR max(Ohms)			Leakage inductance max(uH)	pri:sec	pri:bias	
			Pri	Bias	Sec				
TF10014	7	155	0.414	0.822	0.036	4.00	1:0.667	1:0.65	3.3V,2.12A
TF10015	7	156	0.414	0.822	0.060	3.60	1:0.667	1:0.65	5.0V,1.4A
TF10016	7	157	0.414	0.822	0.343	3.25	1:0.667	1:0.65	12V,0.6A

Mechanicals TF8801



Schematic

